

# PREVENT WATER INTRUSION AT WINDOWS

(stucco clad buildings)

*save time and money with this method*



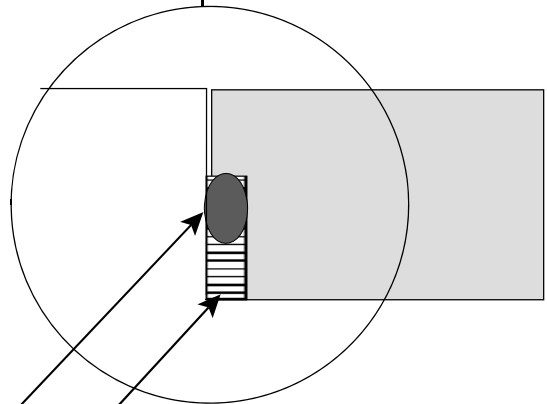
1. PROBLEM - Wind driven rain can enter here (between window and stucco)

2. SOLUTION - Repair by:

- a. Small saw kerf ( $\frac{1}{8}$ " wide or less x  $\frac{1}{2}$ " deep) at juncture of frame & stucco
- b. Install Adeka Ultra Seal 4mm string
- c. Seal joint with Dow Corning Silicone long term flexible sealant

3. This procedure developed and recommended by:

**John J. Bucholtz, PE**  
**Construction Quality Engineers, Inc.**



Adeka Ultra Seal KM 4mm

Sealant

Detail and procedure as outlined in Mr. Bucholtz's "Techniques and Comments" newsletter number 191

Call **(800) 999-3959** or your local technical representative for information on Adeka Ultra Seal KM 4mm string or other quality Adeka Ultra Seal hydrophilic waterstops.